

AXIS M3011 Fixed Dome Network Camera

Ultra-discreet, recessed-mount video surveillance solution.



- > Ultra-discreet fixed dome design
- > Progressive scan
- > Multiple H.264 streams
- > Easy installation
- > Power over Ethernet

AXIS M3011 Fixed Dome Network Camera, with its innovative and unique design, is specifically developed for recessed mounting in drop ceilings. It offers an unmatched discreet solution that is ideal for video surveillance in retail stores, banks and other office buildings.

With its ultra-discreet fixed dome design, AXIS M3011 measures only 9 cm (3.6") wide and protrudes only 3 cm (1.2") from the ceiling. To suit interior design the cover ring is available in a range of colors.

AXIS M3011 is innovatively designed for quick and easy installation in drop ceilings. Power over Ethernet (IEEE 802.3af) supplies power to the cameras via the network, eliminating the need for power cables and reducing installation costs.

AXIS M3011 uses progressive scan, providing images of moving objects with no distortion.

Multiple H.264 streams, as well as Motion JPEG streams, can be provided simultaneously either in full frame rate or individually optimized for different quality needs and bandwidth constraints. AXIS M3011 also supports MPEG-4 Part 2 for backward compatibility.

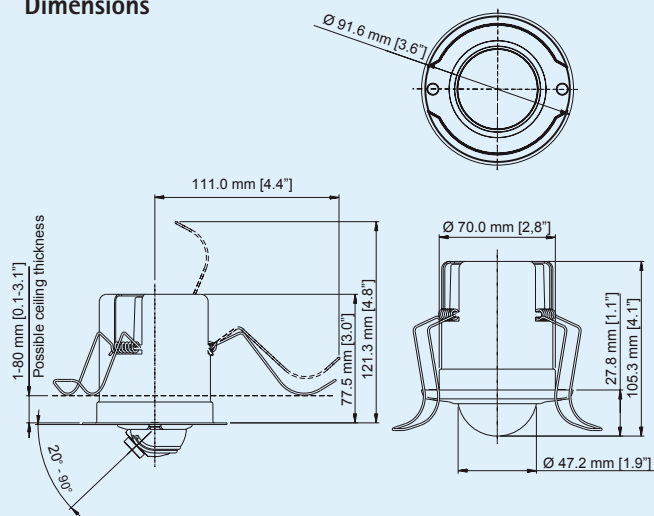


Technical Specifications – AXIS M3011 Fixed Dome Network Camera

Camera		Network	
Image sensor	1/4 " Progressive scan RGB VGA CMOS	Security	Password protection, IP address filtering, HTTPS encryption, digest authentication, user access log
Lens	3.0 mm, F2.0, fixed iris Angle of view, horizontal: 66°	Supported protocols	IPv4/v6, HTTP, HTTPS, QoS Layer 3 DiffServ, FTP, SMTP, Bonjour, UPnP, SNMPv1/v2c/v3(MIB-II), DNS, DynDNS, NTP, RTSP, RTP, TCP, UDP, IGMP, RTCP, ICMP, DHCP, ARP, SOCKS
Minimum illumination	1 lux, F2.0	System integration	
Shutter time	1/5000 s to 1/4 s	Application Programming Interface	Open API for software integration, including VAPIX® from Axis Communications available at www.axis.com
Video		Intelligent video	Video motion detection, active tampering alarm
Video compression	H.264 (MPEG-4 Part 10/AVC) Motion JPEG MPEG-4 Part 2 (ISO/IEC 14496-2)	Alarm triggers	Intelligent video
Resolutions	640x480 to 160x120	Alarm events	File upload via FTP, HTTP and email Notification via email, HTTP and TCP
Frame rate H.264	30 fps in all resolutions	Video buffer	16 MB pre- and post alarm
Frame rate Motion JPEG	30 fps in all resolutions	General	
Frame rate MPEG-4 Part 2	30 fps in all resolutions	Casing	Steel and plastic
Video streaming	Multi-stream H.264, Motion JPEG and MPEG-4 Part 2 H.264/MPEG-4 Part 2: 1 stream in full frame rate and resolution Motion JPEG: 2 individually configured streams in full frame rate and resolution More streams in either compression if identical or limited in frame rate/resolution Controllable frame rate and bandwidth VBR/CBR H.264 & MPEG-4 Part 2	Processor and memory	ARTPEC-B, 64 MB RAM, 32 MB Flash
Image settings	Compression, color, brightness, sharpness, contrast, white balance, exposure control, exposure zones, backlight compensation, fine tuning of behavior at low light, rotation Text and image overlay Privacy mask	Power	Power over Ethernet IEEE 802.3af Class 1
		Connectors	RJ-45 10BASE-T/100BASE-TX PoE
		Operating conditions	0 – 50 °C (32 – 122 °F) Humidity 20 – 80% RH (non-condensing)
		Approvals	EN 55022 Class B, EN 61000-3-2, EN 61000-3-3, EN 55024, FCC Part 15 Subpart B Class B, ICES-003 Class B, VCCI Class B, C-tick AS/NZS CISPR 22, MIC Class B, EN 60950-1
		Weight	260 g (0.57 lb.)
		Included accessories	Power over Ethernet midspan (1 port) including mains cable, Installation Guide, CD with installation tools, recording software and User's Manual, Windows decoder 1-user license

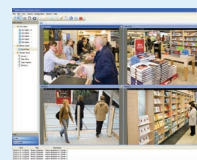
More information is available at www.axis.com

Dimensions



Optional accessories

Different color options for cover rings



For information on AXIS Camera Station and video management software from Axis' Application Development Partners, see www.axis.com/products/video/software/